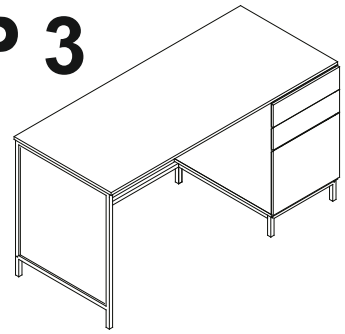
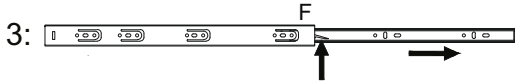
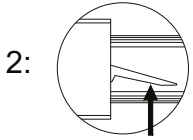
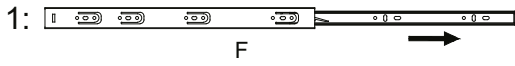
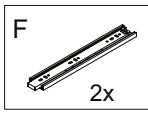


ALYSANDRA TYP 3

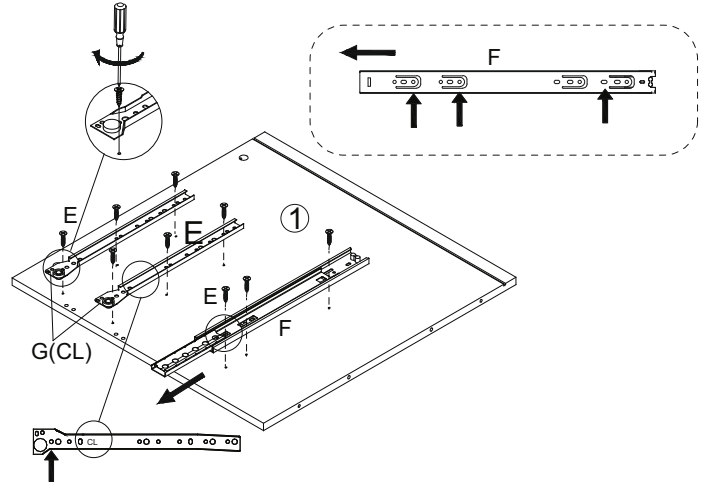
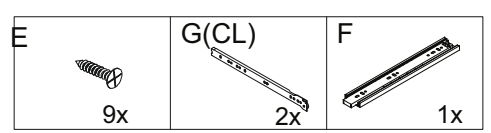


1 1x	2 1x	3 2x	4 1x	5 2x
6 1x	7 1x		8 1x	9 1x
10 1x	11 1x	12 1x	13 1x	14 2x
15 2x	16 2x	17 2x	18 1x	19 1x
20 1x	21 2x	22 1x	23 1x	24 1x
A M6x35mm 15pcs	B Φ15x12mm 7x	C Φ6x30mm 26x	D Φ4x30mm 12x	
E Φ3x12mm 32x	F 350mm 2x	G(CL) 350mm 2x	G(CR) 350mm 2x	
G(DL) 350mm 2x	G(DR) 350mm 2x	H Φ4x35mm 4x	I M6x40mm 5x	
J 1x	K M6x45mm 2x	L 2x	M Φ3x14mm 8x	
N 4x	O Φ15x9mm 8x	P Φ5x30mm 8x	Q Φ5x40mm 2x	

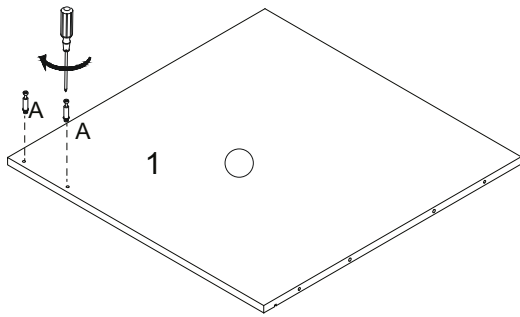
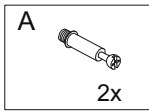
1



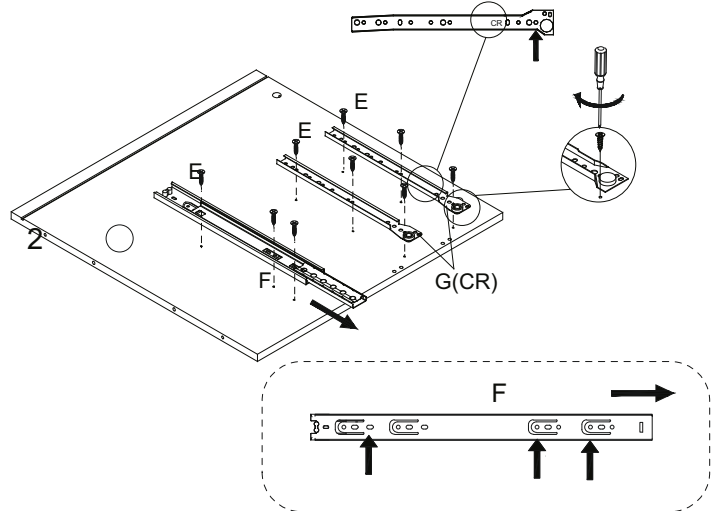
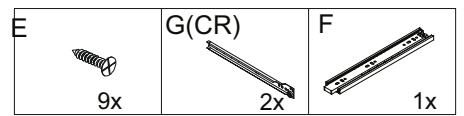
2



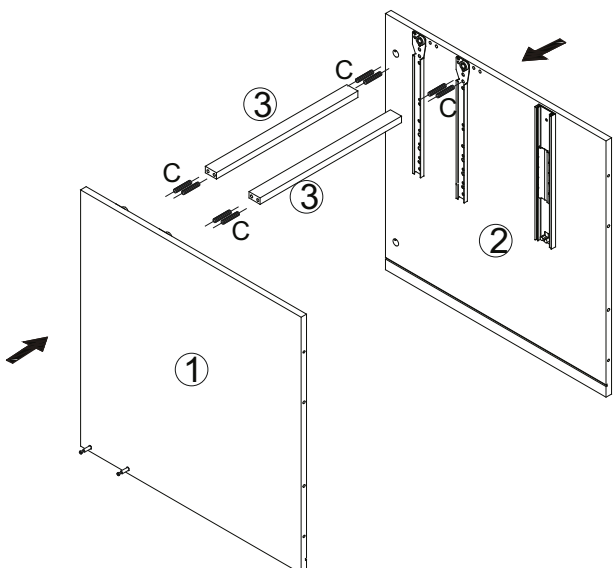
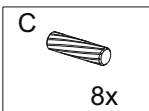
3



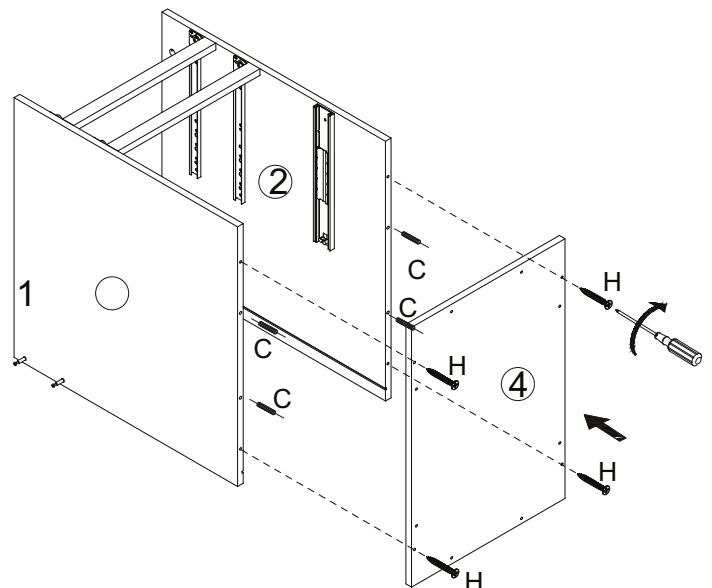
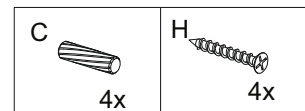
4



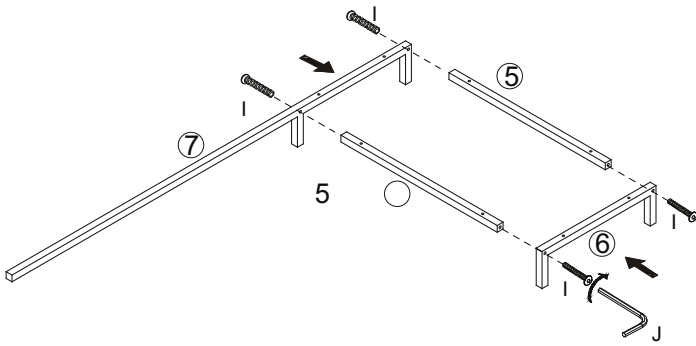
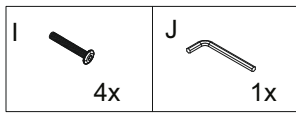
5



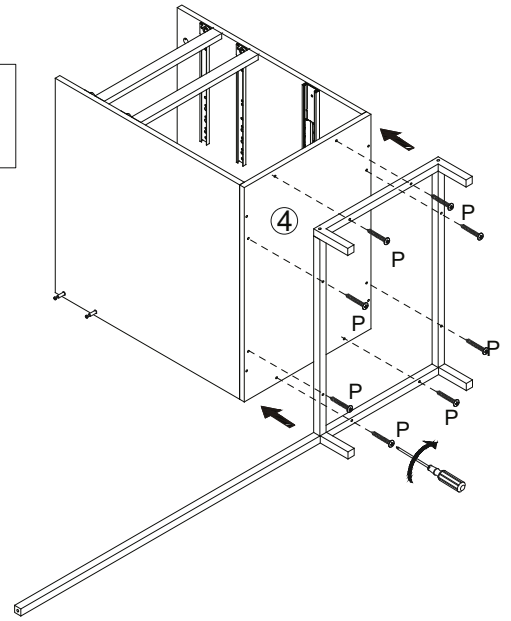
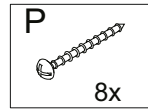
6



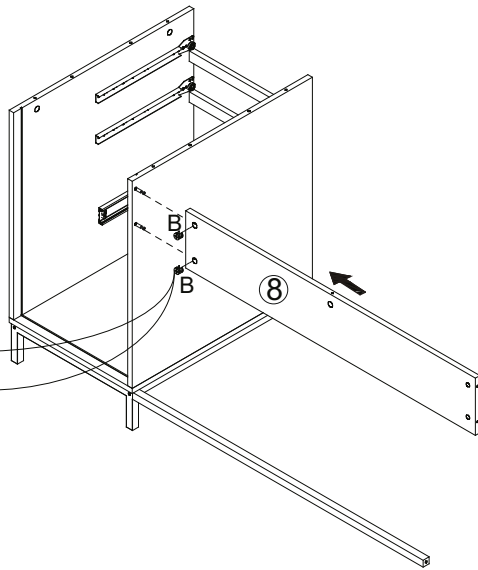
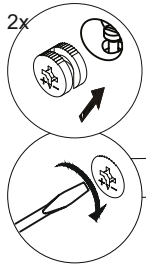
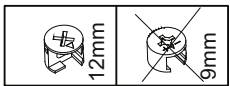
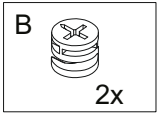
7



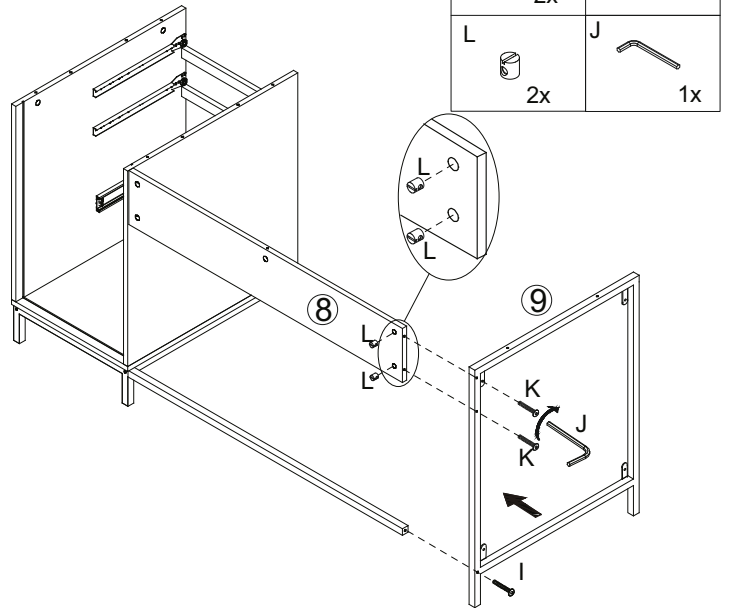
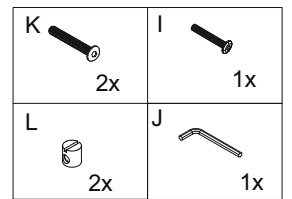
8



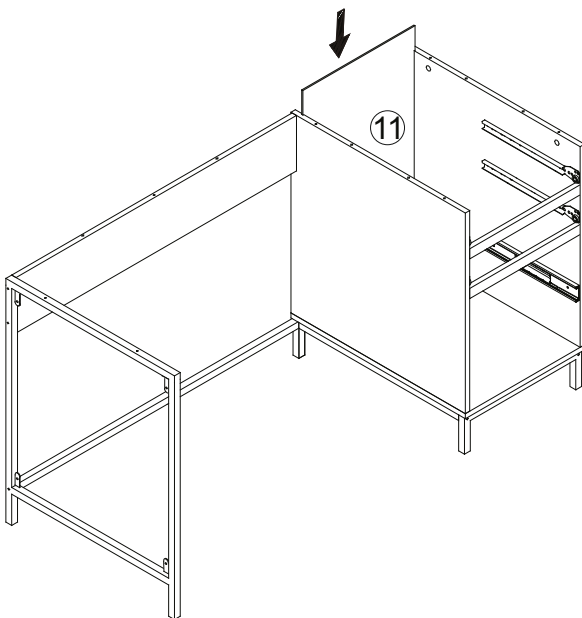
9



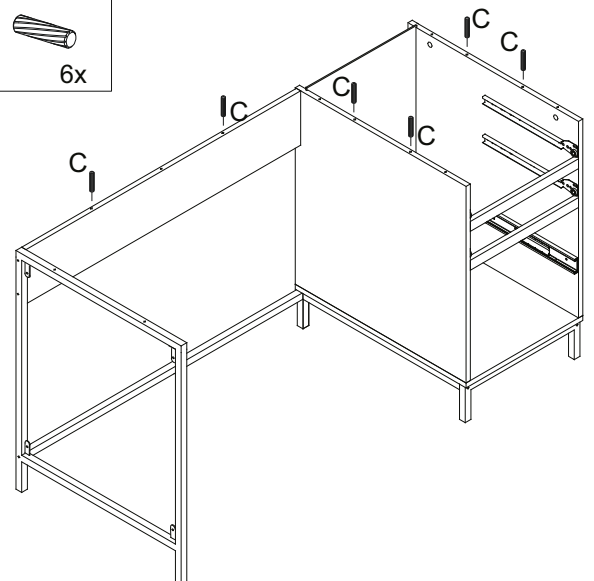
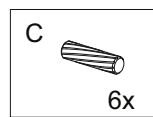
10



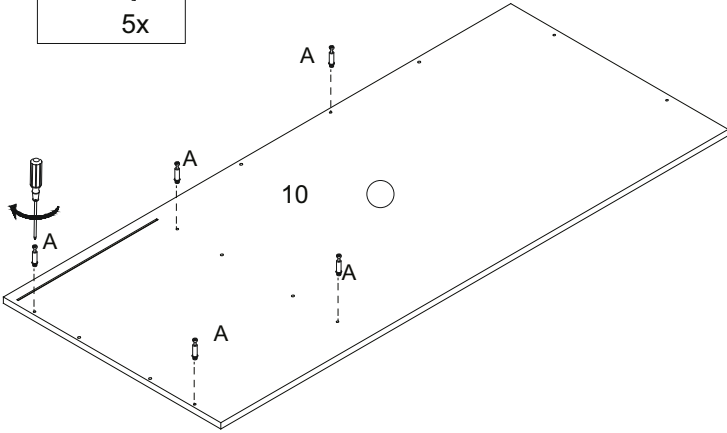
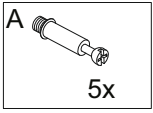
11



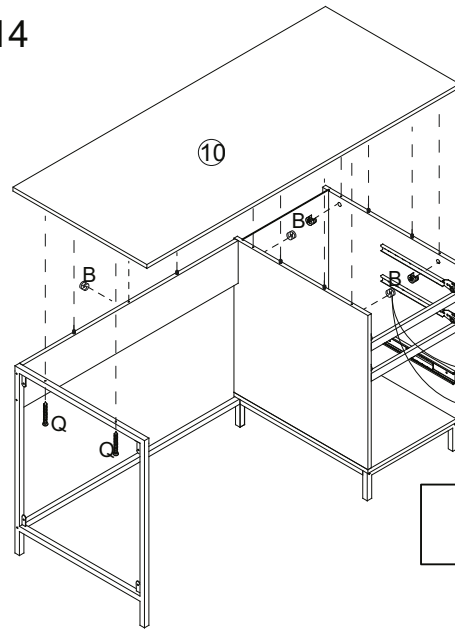
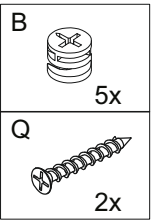
12



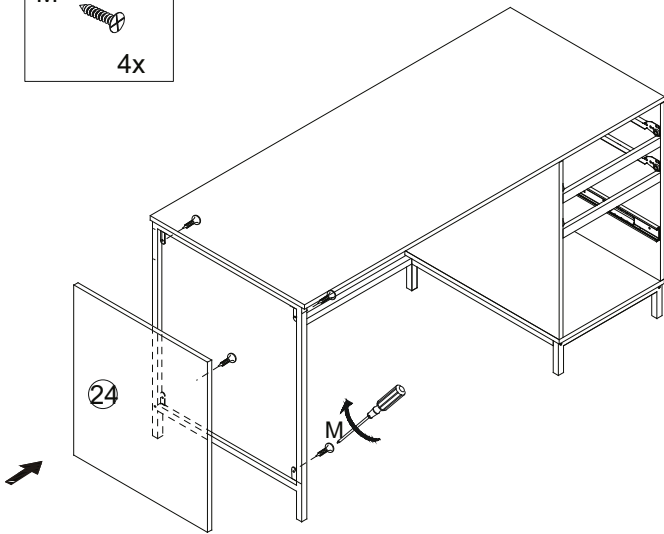
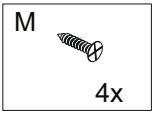
13



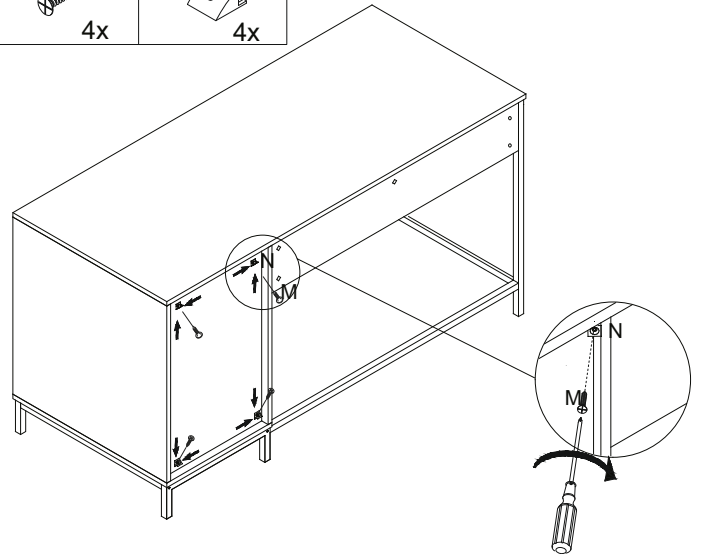
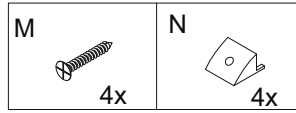
14



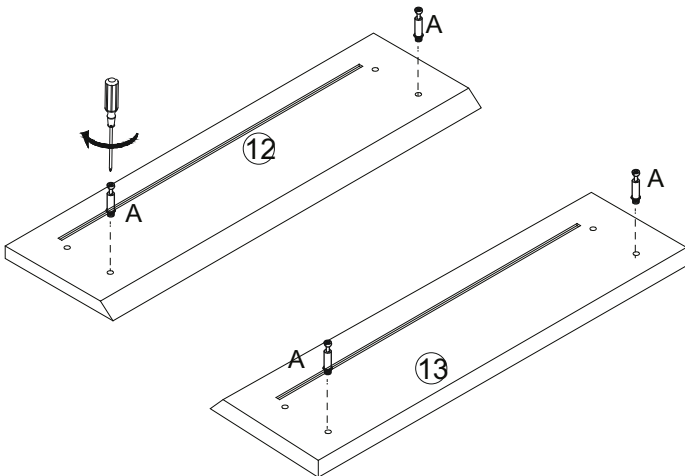
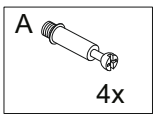
15



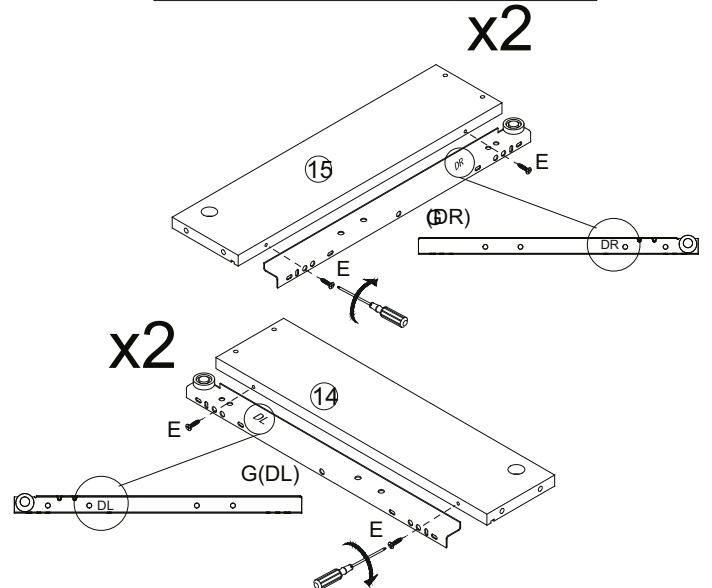
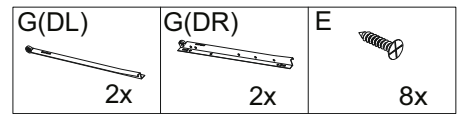
16



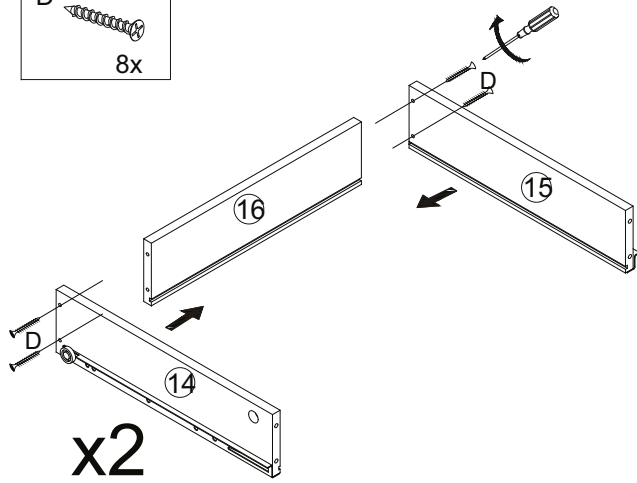
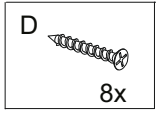
17



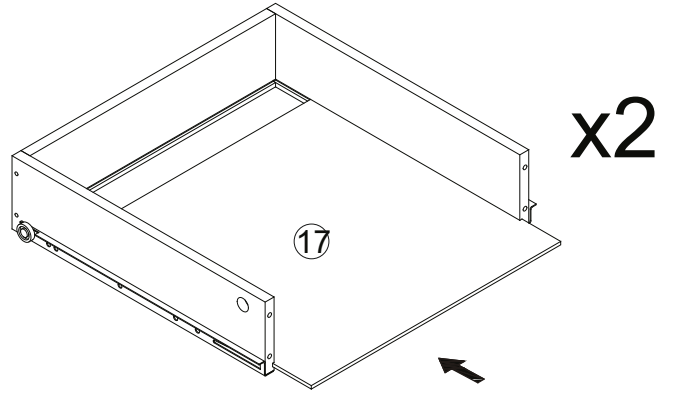
18



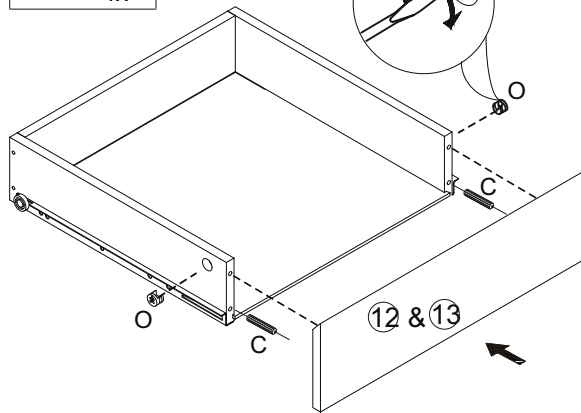
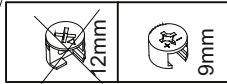
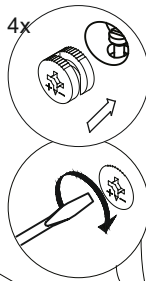
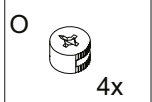
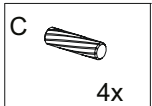
19



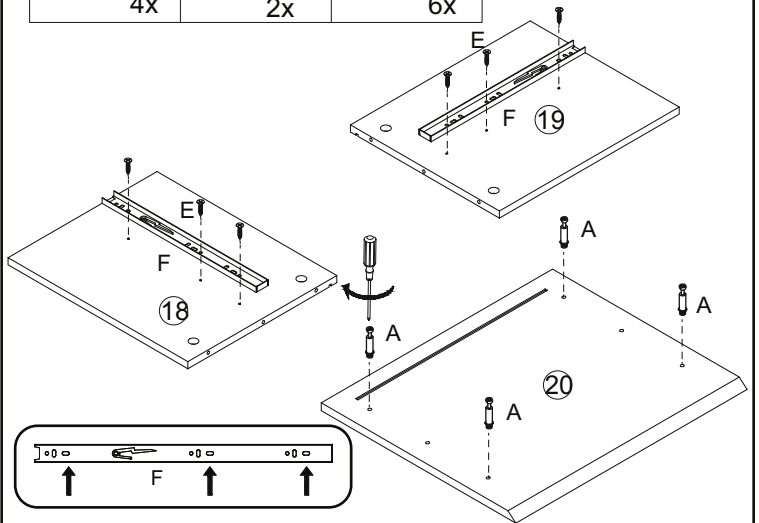
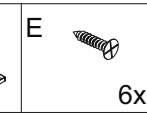
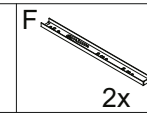
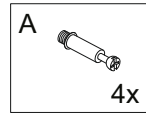
20



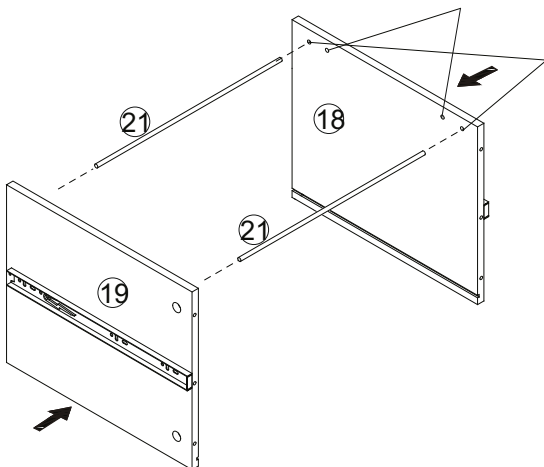
21



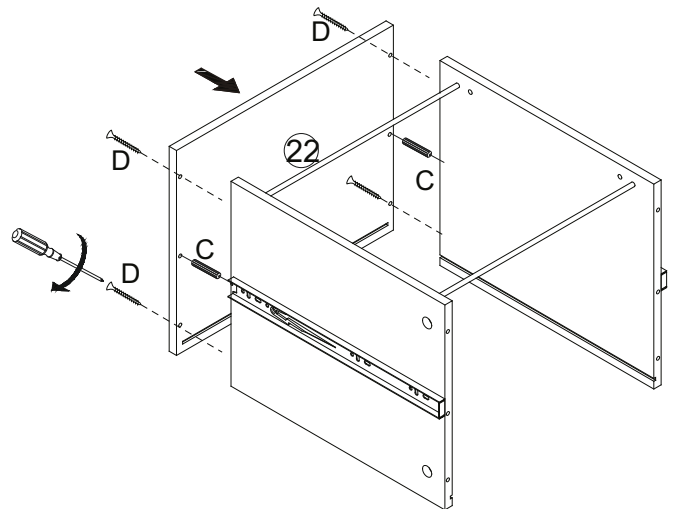
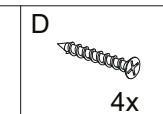
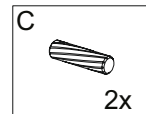
22



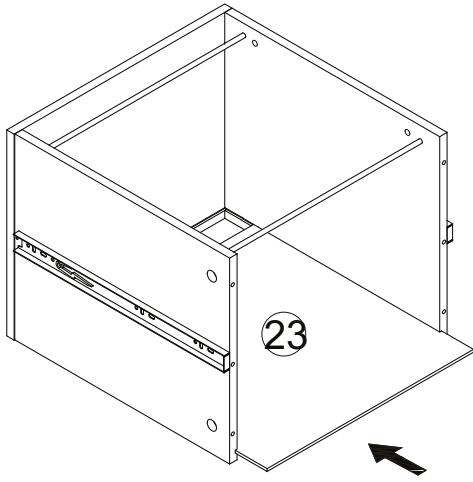
23



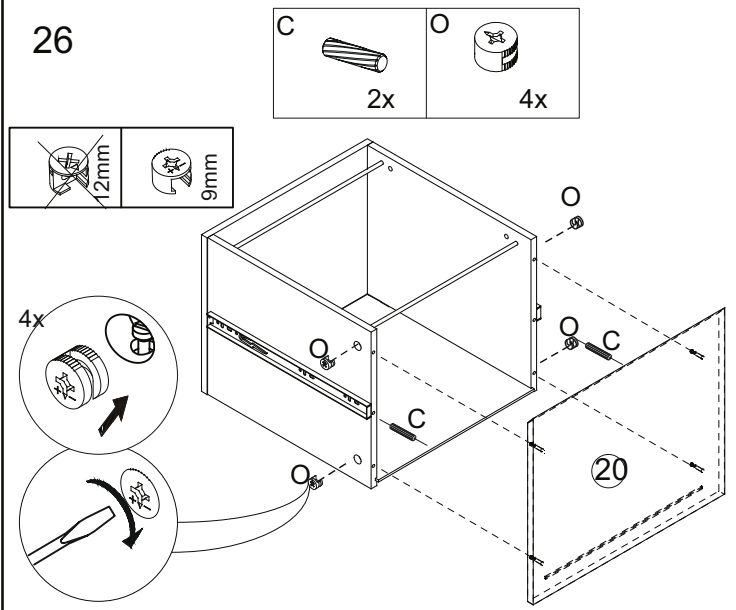
24



25



26



27

